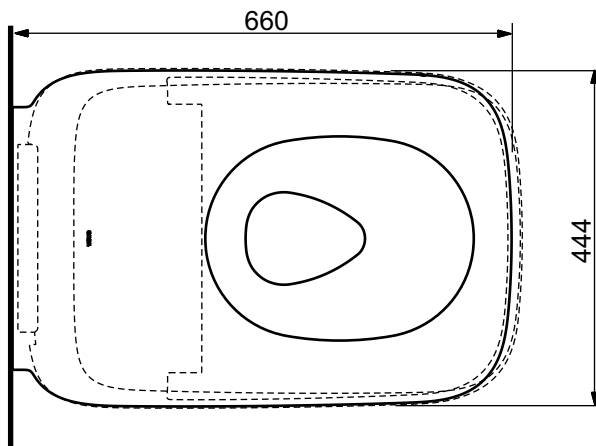
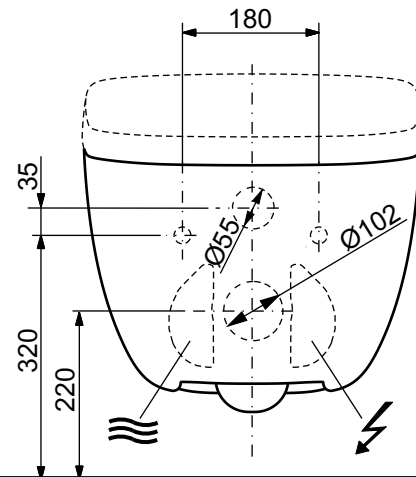


±0=OKFFB



TO BE COMBINED WITH:

- | | |
|---|-------------|
| 1. WASHLET® for NEOREST® WX2 | TCF95280GEU |
| 2. Push plate for NEOREST® WX1/WX2 | MB177EM#S |
| 3. Connecting set for NEOREST® WX1/WX2 | HM183 |
| 4. Sanitary Modul for WASHLET® with automatic flush | WH182EAT |

Designation		TOTO	
NEOREST® WC for NEOREST® WX 2 CW928PZY			
Altered		Scale	This drawing including the respective data may neither be duplicated nor modified nor altered without the consent of TOTO Europe GmbH. The usage of the data/technical drawings takes place at user's own risk and under exclusion of any liability of TOTO Europe GmbH and/or of the companies of the TOTO-Group. The indicated dimensions are not binding; products are subject to change. Measurements shown may be subject to small variations or are indicative.
		1:10	
		Signed	
		Date	19/04/2023