

NEOREST®

NEOREST® WX1, WC with integrated WASHLET®



DE: NEOREST® WX1, WC mit integriertem WASHLET®
FR: NEOREST® WX1, avec WASHLET® intégré
IT: NEOREST® WX1, WC con WASHLET® incorporato
NL: NEOREST® WX1, WC met geïntegreerd WASHLET®

PRODUCT DETAILS - WC for NEOREST® WX1

Product code	CW927PZY
GTIN (EAN)	40 50663 09667 0
Size	w:444xd660xh:367 (mm)
Weight	36 kg
Colour	white
Material	ceramic
Technologies	TORNADO FLUSH, CEFIONTECT, RIMLESS, Water saving, 3/4,5 - 6 L

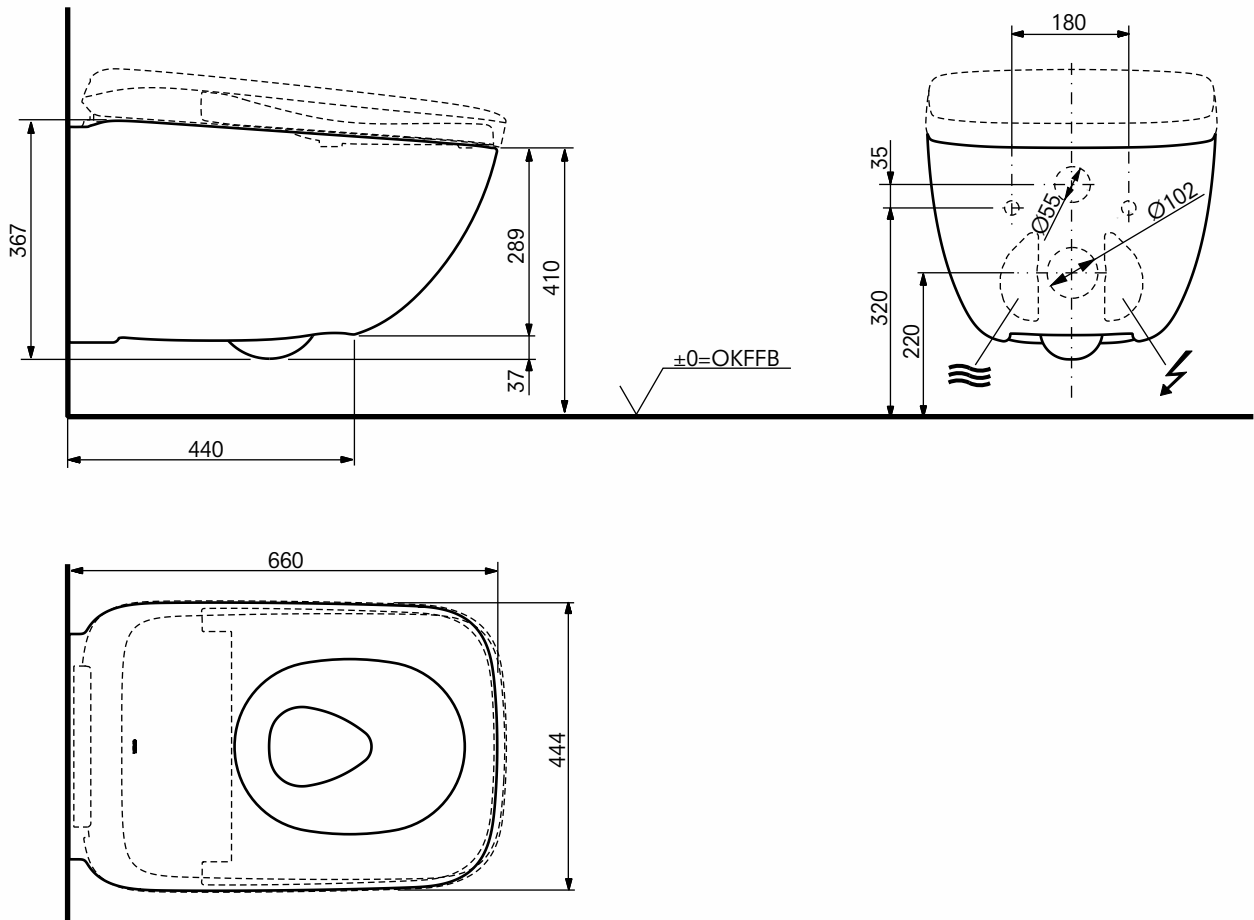
TO BE COMBINED WITH:

WASHLET® for NEOREST® WX1	TCF95180GEU
Push plate for NEOREST® WX1/WX2	MB177EM#S
Connecting set for NEOREST® WX1/WX2	HM183
Sanitary Modul for WASHLET® with automatic flush	WH182EAT WH183EAT (UK)

Weights and measurements shown may be subject to small variations or are indicative.



TECHNICAL DRAWINGS



NEOREST®

NEOREST® WX1, WC with integrated WASHLET®

DE: NEOREST® WX1, WC mit integriertem WASHLET®
FR: NEOREST® WX1, avec WASHLET® intégré
IT: NEOREST® WX1, WC con WASHLET® incorporato
NL: NEOREST® WX1, WC met geïntegreerd WASHLET®



PRODUCT DETAILS - WASHLET® for NEOREST® WX1

Product code WASHLET™	TCF95180GEU
GTIN (EAN)	40 50663 09665 6
Size	w:449 xd:667 xh:122 (mm)
Weight	9 kg
Colour	White
Material	plastic
Technologies	Warm water nozzle, heated seat, Deodorizer, Dryer, EWATER+ for nozzle, EWATER+ for ceramic, Auto functions, PREMIST, Decalcification programm

TO BE COMBINED WITH:

WC for NEOREST® WX1	CW927PZY
Push plate for NEOREST® WX1/WX2	MB177EM#S
Connecting set for NEOREST® WX1/WX2	HM183
Sanitary Modul for WASHLET®	WH182EAT
with automatic flush	WH183EAT (UK)

Weights and measurements shown may be subject to small variations or are indicative.



TECHNICAL DRAWINGS

