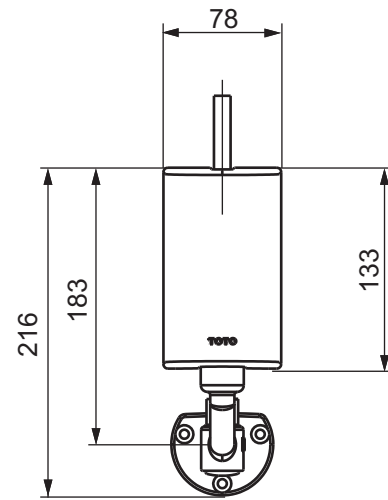
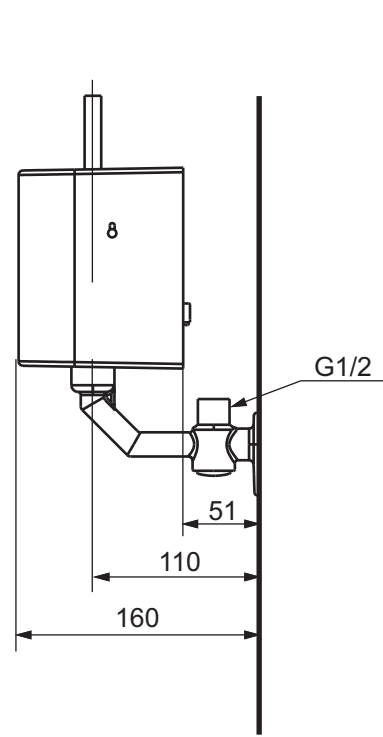


TO BE COMBINED WITH

1. Single water unit (4L/min) TN789V565
2. Thermostatic unit (4L/min) TN7810V565

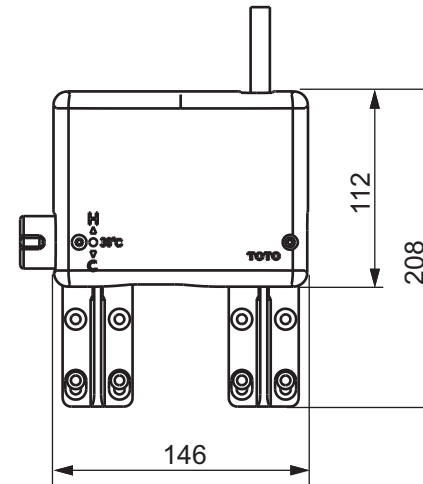
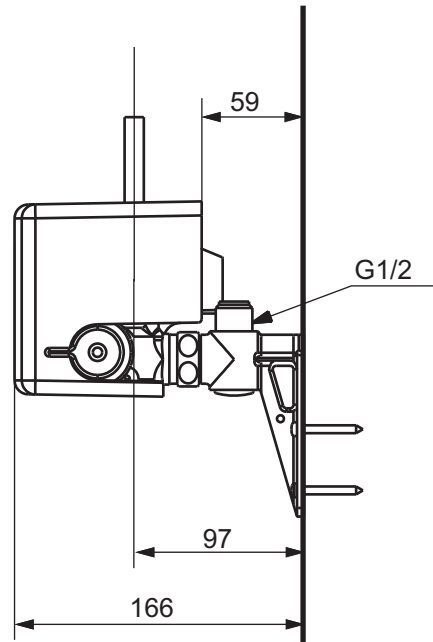
Designation		TOTO	
PUBLIC SERIES Auto faucet modern curved TEN12AWV105			
Altered		Scale	This drawing including the respective data may neither be duplicated nor modified nor altered without the consent of TOTO Europe GmbH. The usage of the data/technical drawings takes place at user's own risk and under exclusion of any liability of TOTO Europe GmbH and/or of the companies of the TOTO-Group. The indicated dimensions are not binding; products are subject to change. Measurements shown may be subject to small variations or are indicative.
		1:5	
		Signed	
		Date	22/02/2010



Designation			
PUBLIC SERIES			
Single water unit (2L/min) TN789V765			
Single water unit (3L/min) TN789V465			
Single water unit (4L/min) TN789V565			
Altered		Scale	1:5
		Signed	T.G.
		Date	22/02/2010

TOTO

This drawing including the respective data may neither be duplicated nor modified nor altered without the consent of TOTO Europe GmbH. The usage of the data/technical drawings takes place at user's own risk and under exclusion of any liability of TOTO Europe GmbH and/or of the companies of the TOTO-Group. The indicated dimensions are not binding; products are subject to change. Measurements shown may be subject to small variations or are indicative.



Designation		PUBLIC SERIES Thermostatic unit (2L/min) TN7810V765 Thermostatic unit (3L/min) TN7810V465 Thermostatic unit (4L/min) TN7810V565		<h1>TOTO</h1>
Altered				
		Signed	T.G.	This drawing including the respective data may neither be duplicated nor modified nor altered without the consent of TOTO Europe GmbH. The usage of the data/technical drawings takes place at user's own risk and under exclusion of any liability of TOTO Europe GmbH and/or of the companies of the TOTO-Group. The indicated dimensions are not binding; products are subject to change. Measurements shown may be subject to small variations or are indicative.
		Date	22/02/2010	